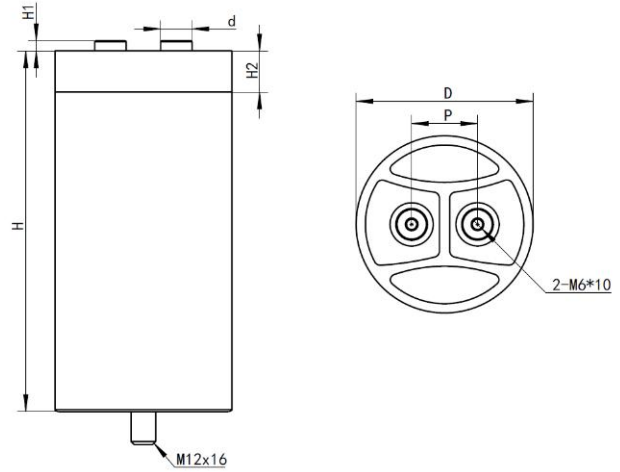


外形图 Outline Drawing



应用

Applications

- ◆ 低压无功补偿
- ◆ 脉冲电源
- ◆ 脉冲医疗设备
- ◆ Low voltage reactive power compensation
- ◆ Pulse Power
- ◆ Pulse medical equipment



特点

- ◆ 超薄型，低高度，安全膜设计
- ◆ 低等效串联电阻，高纹波电流处理能力
- ◆ 低电感
- ◆ 寿命时间长
- ◆ 自愈特性
- ◆ 树脂灌封

Features

- ◆ Slim line, Low building height, segmented metalized-film design
- ◆ Low ESR, high ripple current handling capabilities
- ◆ Low ESL
- ◆ Long Lifetime
- ◆ Self-healing property
- ◆ Filled with resin



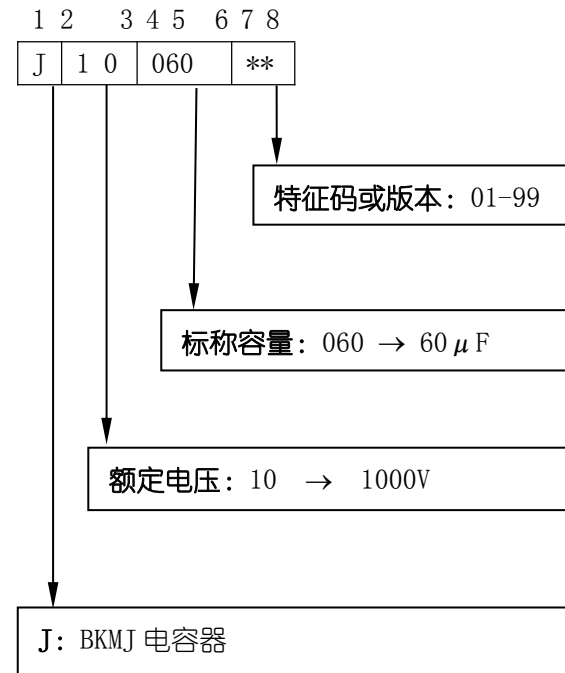
新能源电容产品编码规则 (8 位)

The 8 digits part number is formed as follow.

型号代码:

Model type code:

BKMJ 脉冲电容



范例: BKMJ 电容器 1000V100 μF
编码: J10060**



技术要求

Specifications

引用标准 Reference Standard	JB/T8168 / IEC60384-17			
气候类别 Climatic Category	40/70/21			
工作温度范围 Operating Temperature Range	-40℃~55℃ ($\theta_{hs} \leq 75^\circ\text{C}$) $\theta_{hs} = 55^\circ\text{C}$			
额定电压 (U_N) Rated Voltage 55℃	1KV	1.4KV	1.6KV	2KV
容量范围 (C_N) Capacitance Range (C_N)	50-200 μF			
容量偏差 Capacitance Tolerance	$\pm 5\%$ (J)、 $\pm 10\%$ (K)			
耐电压 Voltage Proof	1.2 U_N (10S, $20 \pm 5^\circ\text{C}$)			
绝缘电阻 Insulation Resistance ($R \times C_N$)	$\geq 10,000\text{S}$ (@20℃, 500Vdc, 1min)			
自感 (L_s) Self Inductance (L_s)	< 1nH per mm of lead spacing			
频率 (f) Frequency (f)	50Hz~10KHz			
最大峰值电流 (\hat{i}) Maximum peak current (\hat{i})	$\hat{i} = C_N * dv/dt$			
预期寿命 Expected Lifetime	30,000 hours @ U_N , $\theta_{hs} = 55^\circ\text{C}$			



技术参数 Technical data (mm)

Un1600Vdc							
C_n	L	D	Outout	dV/dt	I _{rms}	ESR	Part Number
μF	Mm	Mm	M	V/ μs	A	m Ω	
60	135	65	M6	35	35	15	J16060**
80	135	65	M6	35	40	12	J16080**
100	160	76	M6	35	55	8	J16100**

*以上仅列出常规尺寸，可依客户要求定制电容。

